

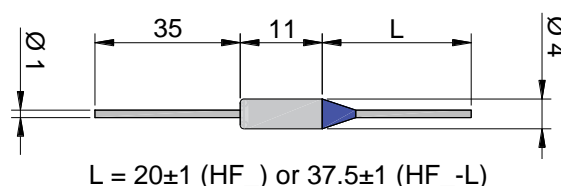
Organic Thermal Link HF Series

20A Series

Key Features

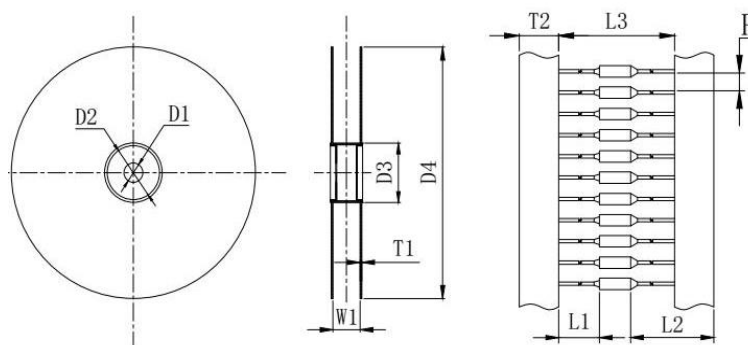
- Metal case
- Non-resettable
- High accuracy of function temperature
- RoHS & REACH compliant
- Bulk or Tape & Reel packing

Dimensions



Specification

Model	T _r	Fusing Temp.	T _h	T _m	I _r	U _r							
	(°C)	(°C)	(°C)	(°C)	(A)	(V)	UL recognized	cUL recognized	VDE	PSE	CCC	KTL	RoHS REACH
HF73	73	70±2	60	450	20	AC 250	●	●	●	○	○	○	●
HF77	77	74±2	62	410	20	AC 250	●	●	●	○	○	○	●
HF84	84	82±2	69	300	20	AC 250	●	●	●	○	○	○	●
HF94	94	90±2	79	410	20	AC 250	●	●	●	○	○	○	●
HF99	99	95±2	84	410	20	AC 250	●	●	●	○	○	○	●
HF104	104	102±2	90	400	20	AC 250	●	●	●	○	○	○	●
HF113	113	110±2	98	400	20	AC 250	●	●	●	○	○	○	●
HF117	117	114±2	102	410	20	AC 250	●	●	●	○	○	○	●
HF121	121	118±2	106	410	20	AC 250	●	●	●	○	○	○	●
HF133	133	131±2	119	410	20	AC 250	●	●	○	○	○	○	●
HF142	142	138±2	127	400	20	AC 250	●	●	●	○	○	○	●
HF157	157	155±2	142	410	20	AC 250	●	●	●	○	○	○	●
HF172	172	168±2	157	410	20	AC 250	●	●	○	○	○	○	●
HF184	184	181±2	169	410	20	AC 250	●	●	●	○	○	○	●
HF192	192	189±2	175	400	20	AC 250	●	●	○	○	○	○	●
HF216	216	212±2	191	450	20	AC 250	●	●	○	○	○	○	●
HF229	229	226±2	201	450	20	AC 250	●	●	●	○	○	○	●
HF240	240	238±2	210	450	20	AC 250	●	●	○	○	○	○	●



Tape & Reel Dimensions

No.	D1	D2	D3	D4	W1	T1	L1	L2	L3	T2	P
Dimensions	Ø31.5±1	Ø73	Ø89	Ø320±5	87±1	2.5±0.5	29-30	39±1	74±1	6±0.5	4±0.5

Dimensions in mm

Changes and errors excepted