

Thermal protector ST06HT series



- **Very small, compact design**
- **Not sensitive to current**
- **Short response time**
- **High mechanical strength**
- **Up to 50kg coil shaping pressure**

Applications

Over temperature protection in electrical heating mats, heating jackets, heating hoses, heating cables, heating tapes and thermal protection in much further electrical applications.

Function


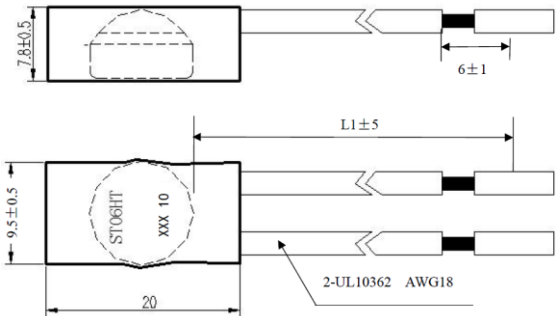
The temperature limiter ST06HT series is independent of current.

The temperature is measured by a continuously operating bimetallic disk which has previously been dimensioned according to the desired switch-off temperature. The function and switching behavior of our thermal protectors, featuring an additional spring disc, ensure that the bimetal disc is continuously active. After cooling and reaching the reset temperature of the bimetal disc, the temperature switch automatically switches back to its initial position. (Automatic reset). The pressure resistance of the housing is up to 50kg.

Technical data

Function	Normally closed (NC)
Nominal switching temperature in 5°C steps (NST)	205°C ~ 250°C
Tolerance (Standard)	± 10K
Reset temperature	120K ± 20K
Rated voltage	AC 250V
Rated current	10A
Cycles at AC 250V / 10.0A cos φ 1.0	10,000
Cycles at AC 250V / 6.3A cos φ 0.6	10,000
Contact resistance	< 50mΩ
Insulation voltage	AC 1.5kV / 1 min.
Lead wire length (Standard)	100 ± 5mm
recognized standards	---

Designs

Type	Model	Illustration	Dimensions (mm)	Description
ST06HT	U5			Fluoropolymer shrink cap Completely isolated

Available standard connection wires

Insulation material	Temperature max.	Size	UL-Style
PFA	250°C	AWG 18	10362

Order code

ST06HT - A - U5 . 250 . 10 . 100-6/100-6

Type:

ST06HT

Function:

A = Normally closed (NC)

Model:

U5 = Fluoropolymer shrink cap insulation

Nominal switching temperature:

205°C ~ 250°C in 5K steps

Tolerance:

10 (± 10K)

Lead wire length:

Standard = 100mm, 6mm semi-strip

Example: ST06HT-A-U5.250.05.100-6/100-6

For different or unlisted specifications, please contact us