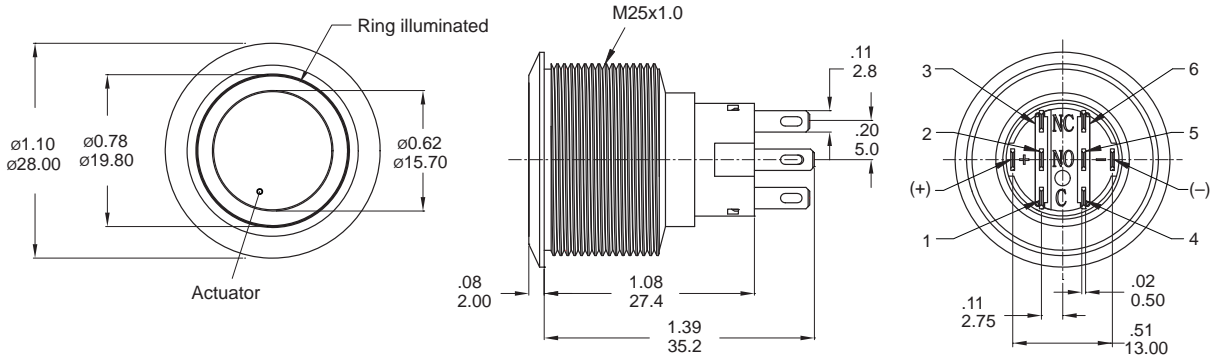


MPB25 Series

25mm Metal Pushbutton Switches

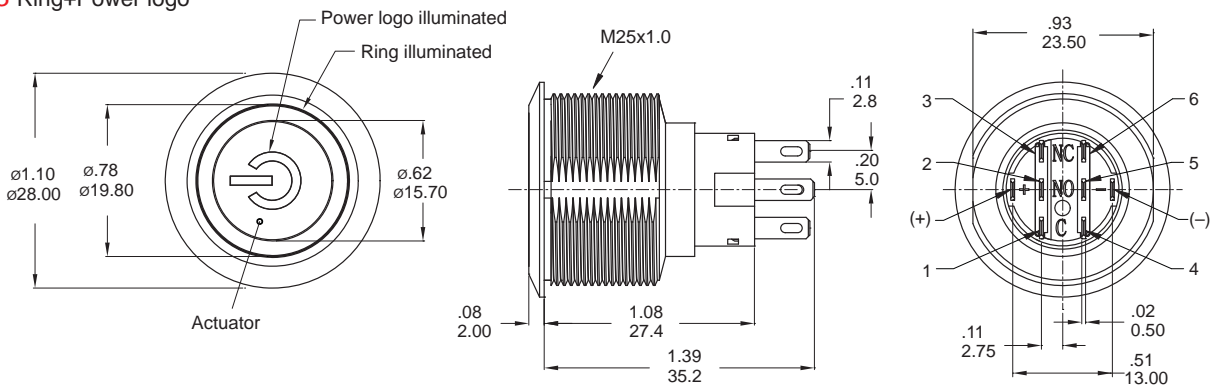
LIGHT TYPE

E Ring (Moveable)



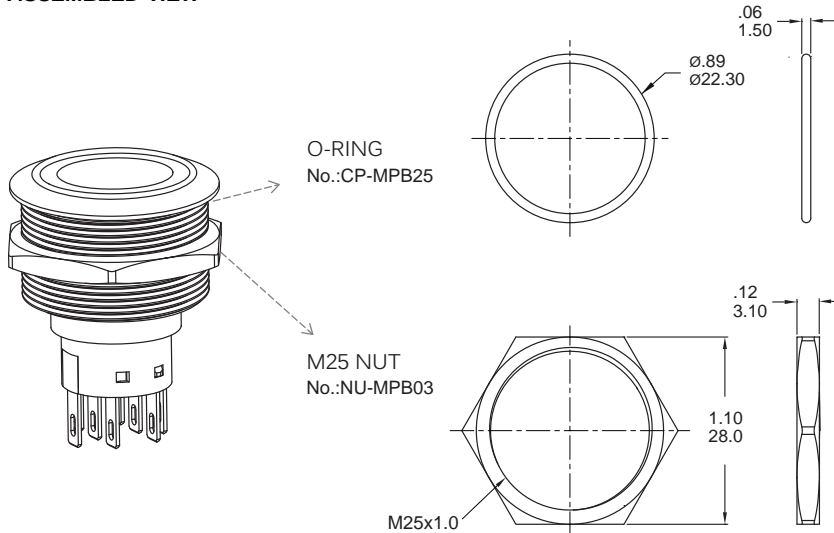
Part No. Shown : MPB25-A0F2□E-□□-JQ

E3 Ring+Power logo



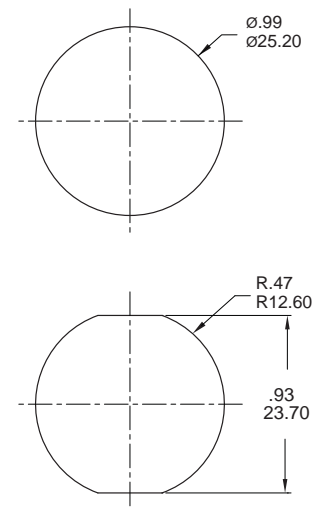
Part No. Shown : MPB25-D0F2□E3-□□-JQ

ASSEMBLED VIEW



PANEL MOUNTING

Max. Panel thickness: 10.0mm [.39]



O-RING INSTALLATION

Proposal	In front of the panel	Behind the panel
Installation Diagram		

MPB25 Pushbutton Switches