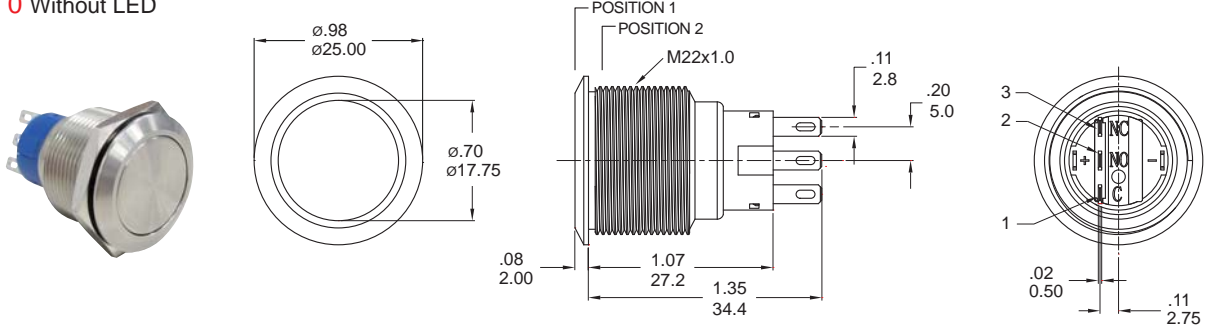


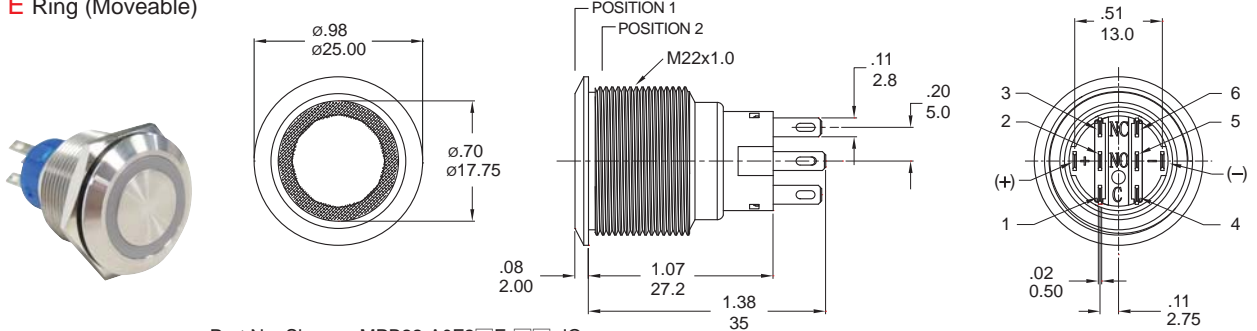
LIGHT TYPE

0 Without LED



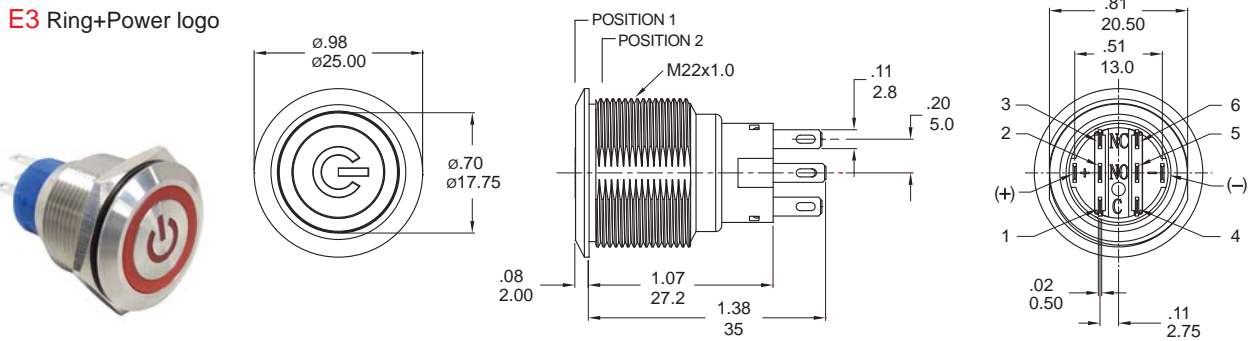
Part No. Shown : MPB22-A0F1 0-JQ

E Ring (Moveable)



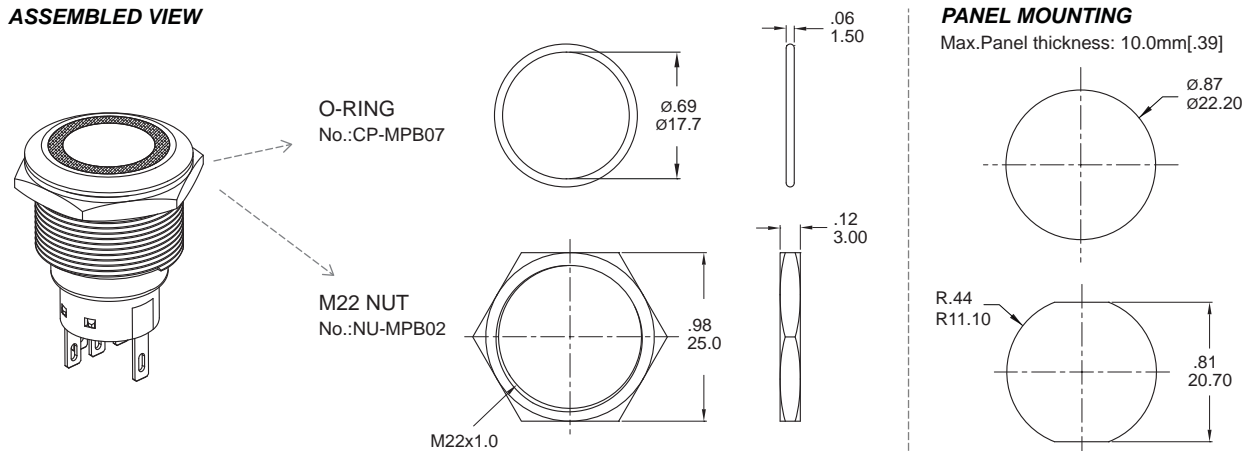
Part No. Shown : MPB22-A0F2 E-JQ

E3 Ring+Power logo



Part No. Shown : MPB22-D0F2 E3-JQ

ASSEMBLED VIEW



O-RING INSTALLATION

Proposal	In front of the panel	Behind the panel
Installation Diagram		

MPB22
Pushbutton Switches