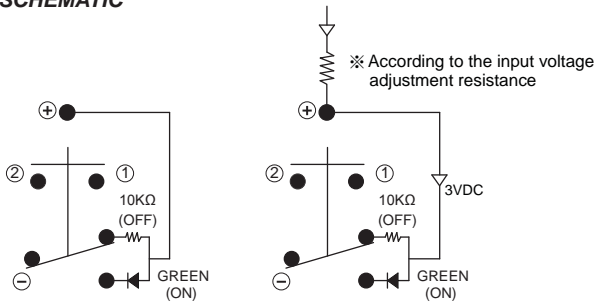


MPB16L Series

16mm Metal Pushbutton Switches(LOCK)

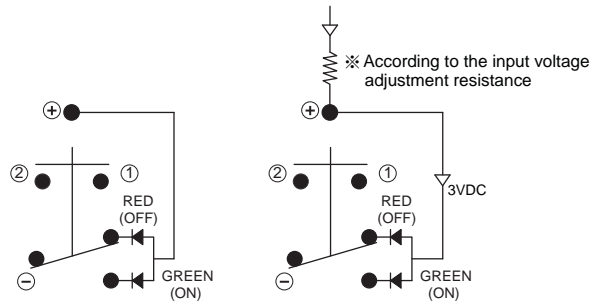
SCHEMATIC / PANEL CUTOUT / HARDWARE

SCHEMATIC



Single Color Led

* Push-OFF, Without light
Push-ON, LED Green light(Latching)

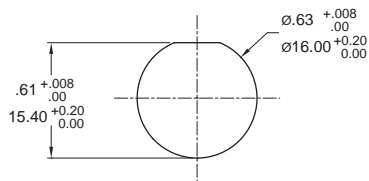


Dual Color Led

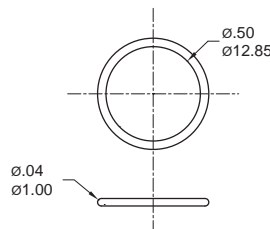
* Push-OFF, LED Red light
Push-ON, LED Green light(Latching)

PANEL CUTOUT

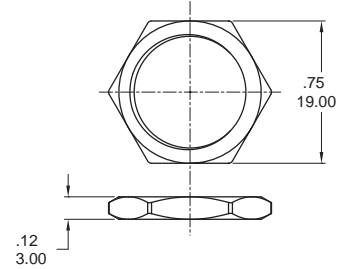
Panel Thickness : 6.0mm Max.



HARDWARE



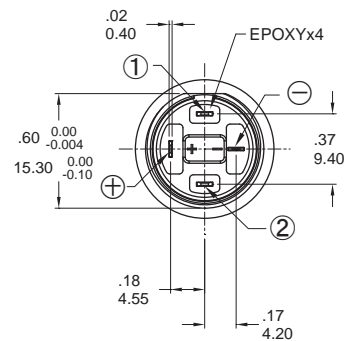
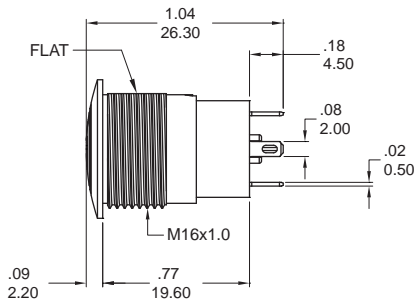
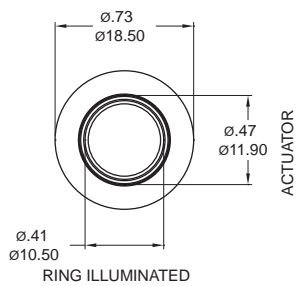
O-RING



NUT

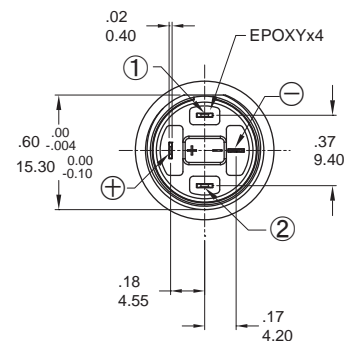
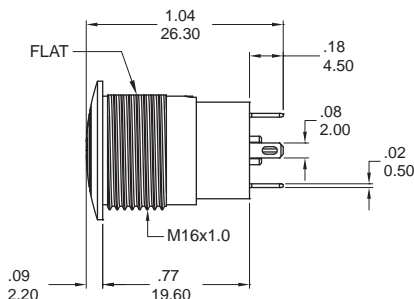
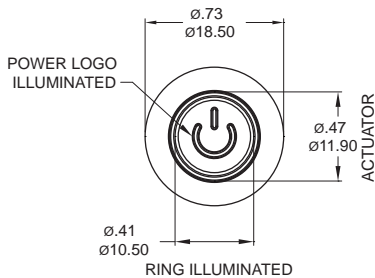
DIMENSION

E Ring



Part No. Shown : MPB16L-CARE-□□-JR-3V

P Power logo



Part No. Shown : MPB16L-CARP-□□-JR-3V