

Thermostat AT-T24 Series



- Height 12.4mm
- Automatic-/manual reset or one shot
- Over 800 different shapes
- Not sensitive to current
- Currents up to 16A @ 250V
- High mechanical strength
- Can reach over 100.000 cycles

Function

The thermostats of the AT-T24 series are independent of current.

The temperature measured by a continuously operating bimetallic disk, which previously been dimensioned according to the desired switching temperature. The bimetal disc positioned directly behind the cap, which ensures a fast reaction time. When the switching temperature reached, the bimetallic disc snaps over, pressing against the actuating pin, which opens or closes the contact. After cooling and reaching the reset temperature of the bimetal disc, the temperature switch automatically switches back to its initial position (Automatic reset). If a contact type with manual reset is used, the push button has to press in.

Technical data	
Electrical rating	AC 250V16A 100.000 cycles
AC ratings approved	AC 250V 10A 100.000 cycles
DC ratings tested in lab	AC 250V 15A 100.000 cycles
	DC 12V 10A 10.000 cycles
	DC 12V 18A 1.000 cycles
	DC 24V 10A 20.000 cycles
	DC 48V 3A 20.000 cycles
	DC 48V 5A 2.000 cycles
Operating Temp.	0°C...230°C (TÜV) 40°C...250°C (UL / cUL) Customized switching temperatures on request
Differential	10 ... 30K (15K Standard) Customized differentials on request
Temp. Tolerance	Operating Temp. ± 3K / ±5K / ±8K Customized tolerances on request
Body Materials	Phenolic (0°C...150°C)
Height:12.4mm	PPS (0°C...200°C)
	Ceramic (0°C...250°C)
Circuit Resistance	50mΩ Max.
Insulation Resistance	100MΩ Min. at DC 500V
Dielectric Strength	AC 1450V for one minute

Changes and errors excepted

Contact Type

A = Contact opens when temperature rises to set point (Normally Closed)

B = Contact closes when temperature rises to set point (Normally Open)

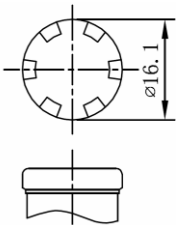
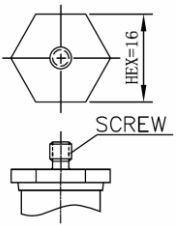
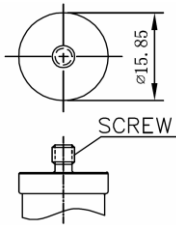
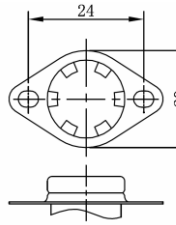
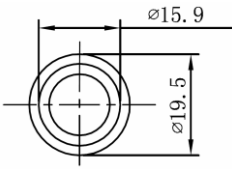
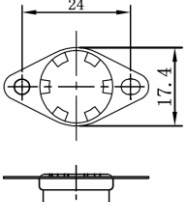
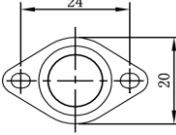
M = Manual Reset contact opens when temperature rises to set point.

Temperature Tolerance

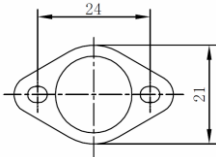
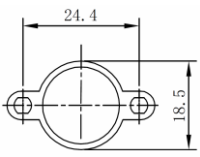
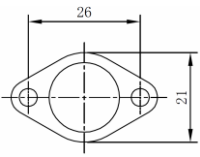
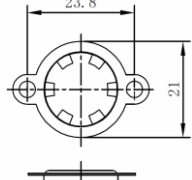
Grade	A	B	C
Action	±3K	±5K	±8K
Reset	±4K	±8K	±12K

- The grade of temperature tolerance is "A", when the NST is < 105°C.
- The grade of temperature tolerance is "B", when the NST is > 106°C
- The grade of temperature tolerance is "C", when the NST is > 180°C

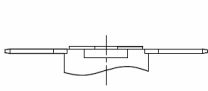
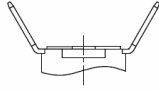
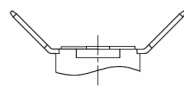
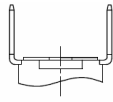
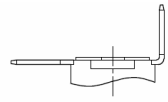
Fixed Bracket Type

 <p>C Type</p>	 <p>H Type *</p>	 <p>R Type *</p>	 <p>B Type</p>
 <p>D Type **</p>	 <p>X Type</p>	 <p>V Type ** (Open Cap)</p>	<p>*M4x0.7 L:6mm, brass *M5x0.8 L:6mm, brass ** Stainless steel</p>

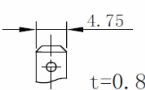
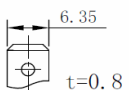
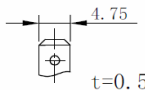
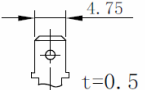
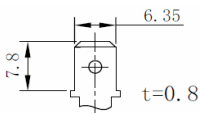
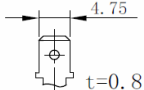
Loose Bracket Type

 <p>O Type</p>	 <p>U Type</p>	 <p>M Type</p>	 <p>S Type</p>
---	---	--	---

Terminal orientation

 <p>F TYPE (0°)</p>	 <p>K TYPE (30°)</p>	 <p>T TYPE (45°)</p>	 <p>R TYPE (90°)</p>	 <p>L TYPE (90° x1)</p>	<p>Customized connections available on request e.g. wires</p>
---	---	---	---	--	---

Terminal size

 <p>TYPE 1 Amp #187 TAB</p>	 <p>TYPE 2 Amp #250 TAB</p>	 <p>TYPE 7 Amp #187 TAB</p>	 <p>TYPE 6 Amp #187 TAB</p>	 <p>TYPE 8 Amp #250 TAB</p>	 <p>TYPE 9 Amp #187 TAB</p>
--	--	--	--	---	--

Changes and errors excepted

Order code

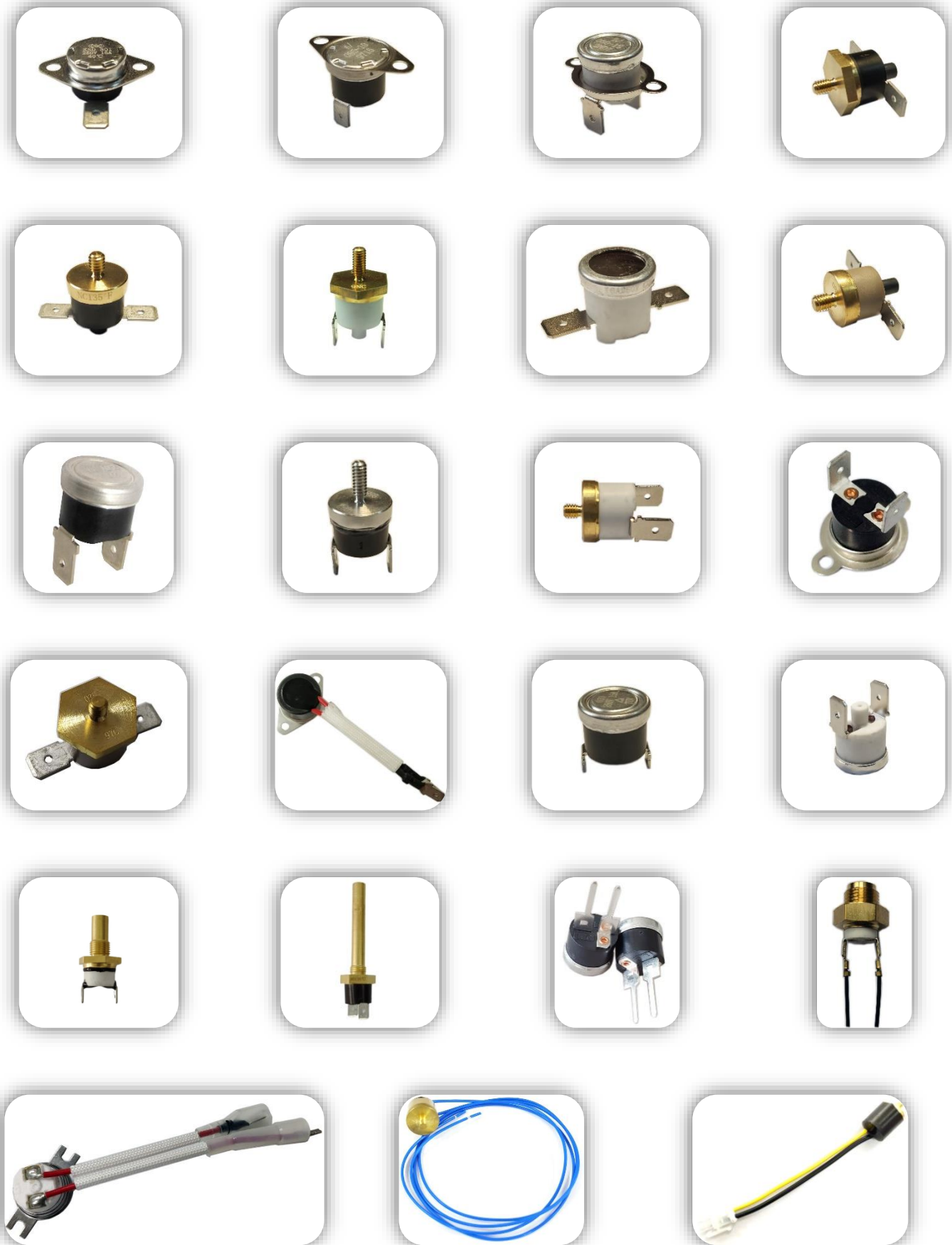
	AT-T24	A	085	A	X	R	1	-	10	-	PB	-	(M4x6)	-	code
Type: AT-T24															
Function: A = Normally Closed (NC) B = Normally Open (NO) M = Manual Reset															
Nominal switching temperature: 0°C ... 250°C in 5K steps															
Switching temperature tolerance: A = Action ±3K / Reset ± 4K / 50°C ... 105°C B = Action ±5K / Reset ± 8K / 106°C ... 180°C C = Action ±8K / Reset ± 12K / 181°C ... 250°C															
Bracket type: Fixed Bracket = C H R B D X V Loose Bracket = O U M S															
Terminal Orientation: F (0°) K (30°) T (45°) R (90°) L (1x 90°)															
Terminal size: 1 (4,75 x 0,8), tin plated (max. 190°C) 2 (6,35 x 0,8), tin plated (max. 190°C) 7 (4,75 x 0,5), tin plated (max. 190°C) 6 (4,75 x 0,5), with stop, nickel plated 8 (6,35 x 0,8), with stop, nickel plated 9 (4,75 x 0,8), with stop, nickel plated 4 or 7 = Wires															
Differential: Action temperature -10K Action temperature -15K (Standard) Action temperature -30K not applicable with manual reset															
Body material and contact plating: P: PPS T: Phenol C: Ceramic B: Silver G: Gold W: Wires															
Thread size: M4x0.7 L:6mm, brass M5x0.8 L:6mm, brass Others on request, e.g. M8x1.25 L10mm made of Aluminum															
Coding for special requirements: E.g. Wire connections 320-6 → 320mm, 6mm stripped															

Other specifications on request

Example: AT-T24 A 085 A X R 1 - 10



Changes and errors excepted



Changes and errors excepted