

# Thermostat AT-T23 Series



- **Over 800 different shapes**
- **Not sensitive to current**
- **Currents up to 16A**
- **High mechanical strength**
- **Can reach over 100.000 cycles**

## Function

The thermostats of the AT-T23 series are independent of current.

The temperature measured by a continuously operating bimetallic disk, which previously been dimensioned according to the desired switching temperature. The bimetal disc positioned directly behind the cap, which ensures a fast reaction time.

When the switching temperature reached, the bimetallic disc snaps over, pressing against the actuating pin, which opens or closes the contact.

After cooling and reaching the reset temperature of the bimetal disc, the temperature switch automatically switches back to its initial position (Automatic reset). If a contact type with manual reset is used, the push button has to press in.

Technical data	
Electrical rating	15A 125V AC (Resistive Load) 10A 250V AC (Resistive Load) 16A 250V AC (Resistive Load)
Operating Temp.	50°C ... 180°C
Differential	10 ~ 30K (15K Standard)
Temp. Tolerance	Operating Temp. ± 3K ±5K
Heat Durability	220°C Max. (PPS)
Circuit Resistance	50mΩ Max.
Insulation Resistance	100MΩ Min. at DC 500V
Dielectric Strength	AC 1000V for one minute or AC 1800V for one second
Operating Life	100.000 cycles ( AC 125V 10A / 250V 10A ) 10.000 cycles ( AC 250V 16A ) 3.000 cycles ( Manual reset )
Weight	4,6g Max.
Approvals	DIN EN 60730-1, DIN EN 60730-2-9, VDE 180°C UL 873, UL / cUL 205°

## Contact Type

**A** = Contact Opens When Temperature Rises to Set Point (Normally Closed)

**B** = Contact Closes When Temperature Rises to Set Point (Normally Open)

**M** = Manual Reset

## Temperature Tolerance

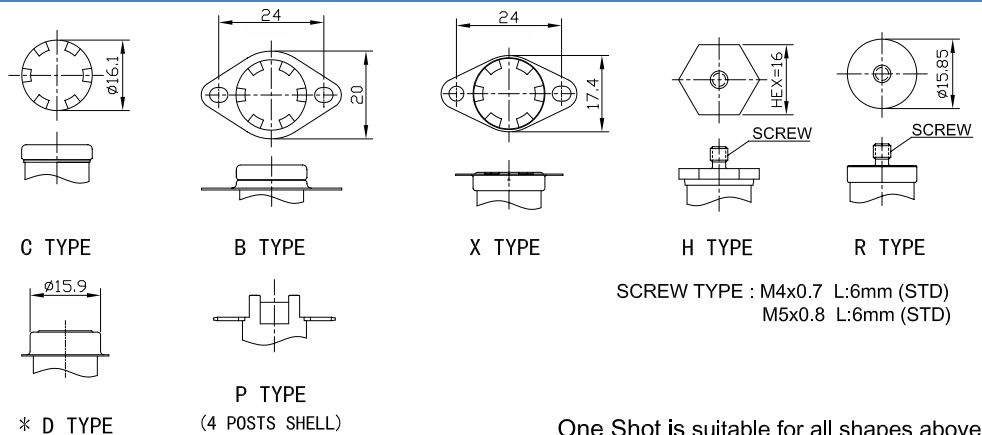
Grade	A	B
Action	±3K	±5K
Reset	±4K	±8K

- The grade of temp. tolerance is "A", when the NST is < 105°C.
- The grade of temp. tolerance is "B", when the NST is > 106°C

## Bracket type

FIXED BRACKET

\* STAINLESS STEEL CAP : D TYPE

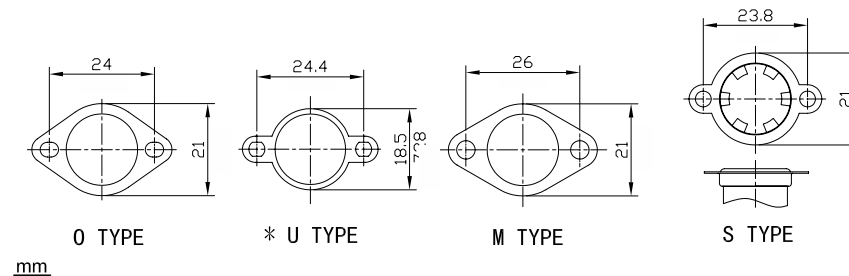


SCREW TYPE : M4x0.7 L:6mm (STD)  
M5x0.8 L:6mm (STD)

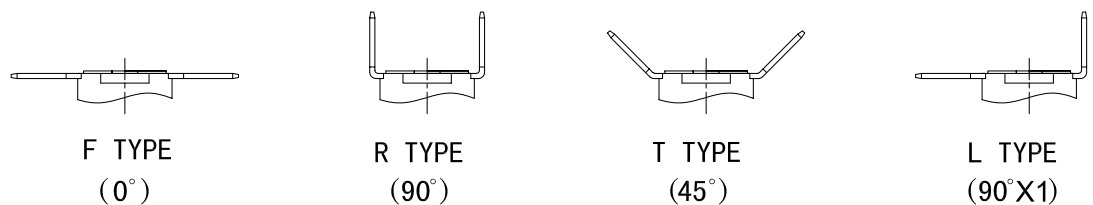
One Shot is suitable for all shapes above.

LOOSE BRACKET

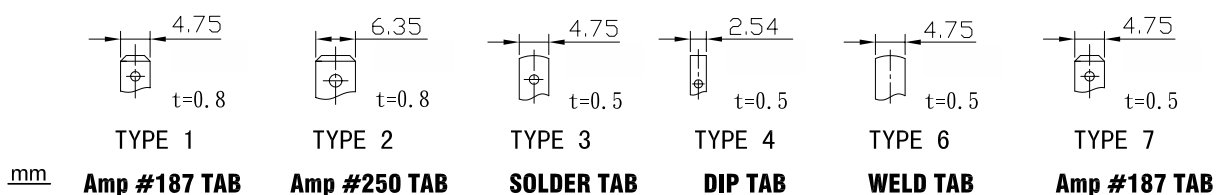
\* STAINLESS STEEL CAP : U TYPE



## Terminal orientation



## Terminal size



Changes and errors excepted

## Order code

	AT-T23	A	110	B	C	F	2	-	15
<b>Type:</b> AT-T23									
<b>Function:</b> A = Normally Closed (NC) B = Normally Open (NO) M = Manual Reset									
<b>Nominal switching temperature:</b> 60°C ~ 200°C in 5°C steps									
<b>Switching temperature tolerance:</b> A = Action ±3K / Reset ± 4K / 50°C...105°C B = Action ±5K / Reset ± 8K / 106°C...180°C C = Action ±8K / Reset ± 12K / 181°C...250°C									
<b>Bracket type:</b> Fixed Bracket = C, B, X, H, R, D, P Loose Bracket = O, U, M, S, G Choose from table above									
<b>Terminal Orientation:</b> F (0°), K (30°), T (45°), R (90°), L (1x 90°) Choose from table above									
<b>Terminal size:</b> 1 (4,75 x 0,8), 2 (6,35 x 0,8), 7 (4,75 x 0,5), 8 (6,35 x 0,8), with stop 9 (4,75 x 0,8), with stop Choose from table above									
<b>Differential:</b> Action temperature -10K Action temperature -15K (Standard) Action temperature -30K not applicable with manual reset									

**Example:** AT-T23 A 110 B O R 2 - 15



Changes and errors excepted